



PARKWALL® RETAINING WALL SYSTEM



DESIGN GUIDE





INNOVATION

Introduced to the market over 15 years ago, the Parkwall® retaining wall system stands as one of the most innovative, durable and versatile concrete wall systems. The patented locking design allows for the ability to stand straight, off-set, in-set, reverse, reverse off-set, reverse in-set or randomize your wall face.



The versatility of this system is inviting, taking your imagination from giant, sweeping escarpments, down to the light accent walls and planters. We also offer a wide range of colours, and the ability to produce both smooth and splitface stones for all your landscape needs, both large scale and small scale.

UNIT SIZES



REGULAR
7.87" w x 11.61" d x 5.9" h
200mm x 295mm x 150mm



TAPERED
7.87" w (7" w) x 11.61" d x 5.9" h
200mm (177) x 295mm x 150mm



CORNER
7.87" w x 11.61" d x 5.9" h
200mm x 295mm x 150mm



COPING
23.62" w x 11.81" d x 2.95" h
600mm x 300mm x 75mm

COLOURS

PARKWALL®



Ebony Black



Boulder Creek



Greystone

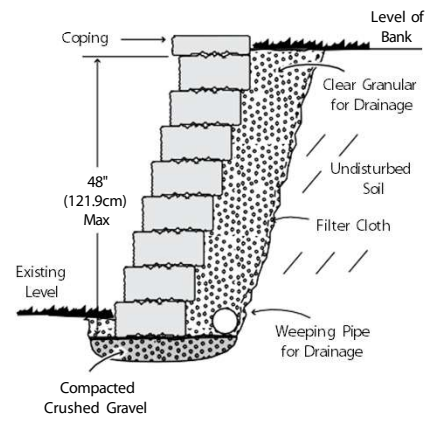
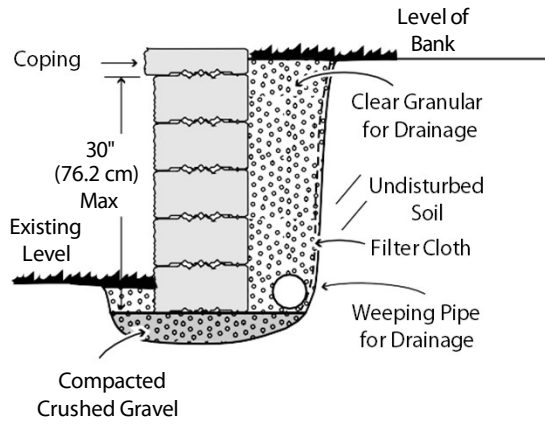


Timbertrail

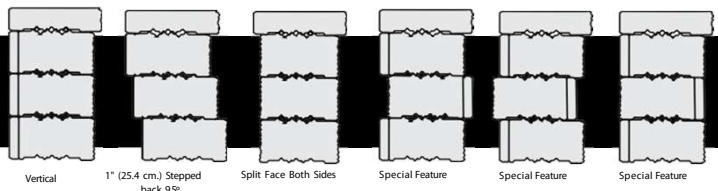


Natural

BASIC ENGINEERED CROSS SECTION



INSTALLATION



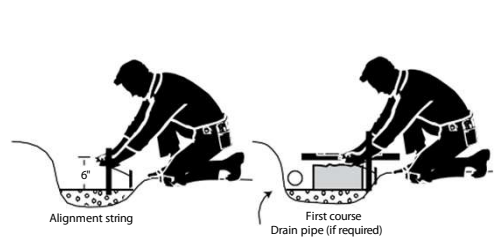
STEP 1: Excavating and Base Preparation

Determine and mark off where the wall is to be placed. Excavate a trench from 8" (20.32 cm.) to 12" (30.48 cm.) deep by at minimum 18" (45.7 cm.) wide [for a wall height to 30" (76.2 cm.) maximum]. For a wall 3' (91.44 cm.) to 4' (121.9 cm.) high, excavate to approx. 16" (40.64 cm.) deep. Compact the undisturbed soil in the trench if possible. Place 4" (10.16 cm.) to 6" (15.24 cm.) of crushed gravel and compact well. With a level make sure the compacted base is level front to back and side to side. To ensure stability, usually the first row, acting as footing is half buried below the ground level. The full base course would be buried for a higher wall.



STEP 2: Base Course

With pegs at either end of the trench, stretch a string (mason's line) to mark the front of the first course units. Place the string 6" (15.24 cm.) above the compacted base (the height of each unit). The Parkwall® is shipped in double units. Split the double unit and start placing each individual unit as desired split face in line with the string. Ensure it is level from side to side and front to back. Use a rubber hammer to tap in some units to the proper level. Complete this first course by placing the units next to each other similarly. In a poorly drained area, a drain pipe should be placed level with the bottom of the first course or slightly below. Be sure it is a proper drain pipe and it comes covered with filter cloth or you can cover it yourself with filter cloth in order to prevent any fine materials from clogging it. If possible have this pipe drain out to a lower portion of ground at one or both ends of your wall.
(Note: This drain pipe is not always required for lower walls.)



STEP 3: Building the Wall and Backfilling

With the first course completed, level & straight, start on the second course. Place the units on top of the previous course in a running bond pattern (joints offset from the joint below). Set the unit as desired for a straight vertical wall or a 1" (25.4 mm.) set back wall. After course number 2 you should start backfilling. After each successive row, compact the granular backfill as well. For both low walls as well as higher walls granular backfill is compacted between the wall and the bank it is in front of. The granular backfill allows water to drain properly from the bank as well as rain or melting snow. Filter cloth should be placed between the granular backfill and the undisturbed earth (the bank). This will keep the granular backfill from being clogged by the soil. Follow this procedure for each succeeding course to the height required.



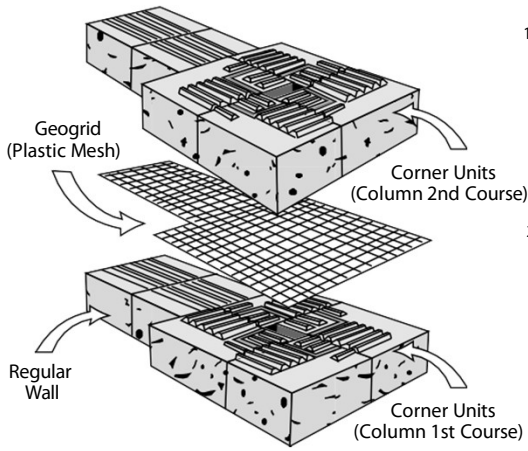
STEP 4: Top Coping and Finish Grading

Once the wall is complete, finish by topping with Parkwall® coping units. Use only recommended concrete adhesives to secure the coping to the top of the wall. Place a row of the adhesive bead or butyl tape on both sides of the wall approx. 1" (25.4 mm.) in from front and back, the total length of the wall for better stability. Coping units are available in straight or wedge designs, smooth face or split face. To complete the back of the wall, place soil then grass (as required) covering the gravel to match the rest of the landscape.

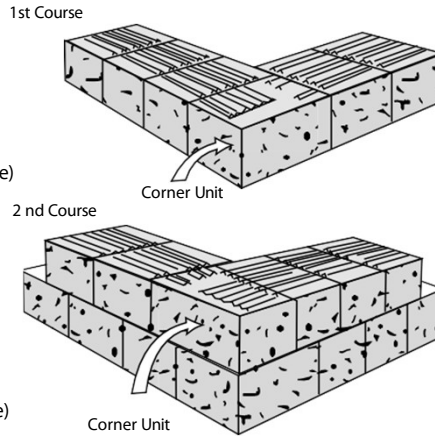


COLUMNS & CORNERS

COLUMN DETAILS



CORNER DETAILS



STEPS

